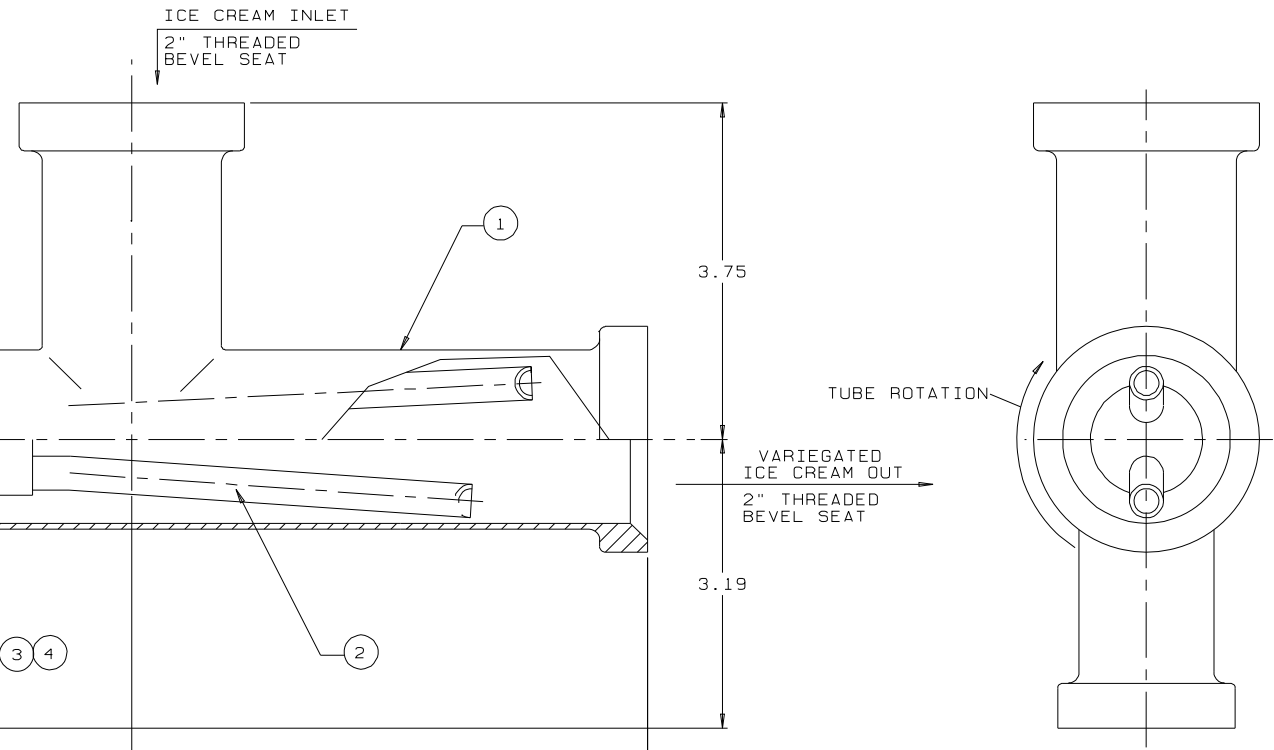


ITEM	REQD	PART NO.	DESCRIPTION	REMARKS
1	1	B-2999-A	BODY	2" WITH CLAMP ENDS
2	1	C-2995-A	FLAVOR TUBE	CUSTOMER TO SPECIFY STYLE
3	2	B-2994-D	LOWER BUSHING	DELTRIN
4	5	A-3000-4	SEAL	BUNA N
5	3	13MHHM-2"	CLAMP	DIXON
6	3		"O" RING	-226 BUNA N
7	2	B-2993-A	FLAVOR TEE	2 x 1 1/2 WITH CLAMP END
8	1	B-2989-D	UPPER BUSHING	DELTRIN
9	1	A-3000-9	DRIVE PIN	
10	2		"O" RING	-10 BUNA N
11	1	A-7719-D	COUPLING	
12	2		SET SCREW	1/4-20 x 1/4" LG. S.S.
13	1	B-2988-A	BONNET	
14	7		SCREW & LOCKWASHER	10-32 x 7/8" LG. SHCS S.S.
15	1	M1125279.00	1/8 HP MOTOR	LEESON (0-250 RPM)
16	1	174107.00	SPEED CONTROL	LEESON WASHGUARD
17	1	B-2982-D	PILOT BUSHING	304 STAINLESS STEEL
18	1	13H-1 1/2"	HEX NUT	DIXON
19	1	16A-1 1/2"	END CAP	DIXON
20				
21	1	B-7718-D	ADAPTOR PLATE	
22				



**NOTE**  
 ALL SPECIFICATIONS SUBJECT TO CHANGE WITHOUT NOTICE. CERTIFIED DRAWINGS ARE AVAILABLE FOR A NOMINAL CHARGE.

- NOTES:**
1. VARIEGATOR TO BE DISASSEMBLED AND HAND CLEANED DO NOT CLEAN IN PLACE
  2. MOTOR AND SPEED CONTROL TO BE PROTECTED DURING WASHDOWN
  3. ALL PRODUCT CONTACT MATERIALS TO BE STAINLESS STEEL TYPE 304, BUNA OR DELTRIN
  4. ELECTRICAL REQUIREMENTS: 120VAC, 50/60HZ

THE DRAWING AND INFORMATION CONTAINED ON THIS DOCUMENT IS CONFIDENTIAL AND THE SOLE PROPERTY OF HOLLAND MFG., INC. AND MAY NOT BE REPRODUCED, USED, OR DISCLOSED WITHOUT PRIOR WRITTEN PERMISSION OF AN AUTHORIZED AGENT OF HOLLAND MFG., INC.

**HOLLAND MANUFACTURING, INC.**  
 6851-51 ST. KENOSHA, WIS

SCALE: FULL  
 DATE: 7-24-12  
 BY: WDH

VERSACAD DWG  
 VOLUME:  
 FILE #: D3829A

2" TWO FLAVOR ELECTRIC DRIVE VARIABLE SPEED VARIEGATOR  
 MODEL ET2F-2" VARIEGATOR D-8102-A