

ITEM	REQD	PART NO.	DESCRIPTION	REMARKS
1	1	B-2997-A	BODY	3" THREADED BEVEL SEAT
2	1	C-2984-A	FLAVOR TUBE	CUSTOMER TO SPECIFY STYLE
3	2	B-2994-D	LOWER BUSHING	DELTRIN
4	5	A-3000-4	SEAL	BUNA N
5	3	13MHM-2"	CLAMP	DIXON
6	3		"O" RING	-226 BUNA N
7	2	B-2993-A	FLAVOR TEE	1 1/2" BEVEL SEAT CONNECT.
8	1	B-2989-D	UPPER BUSHING	DELTRIN
9	1	A-3000-9	DRIVE PIN	
10	2		"O" RING	-10 BUNA N
11	1	A-7719-D	COUPLING	
12	2		SET SCREW	1/4-20 x 1/4" LG. S.S.
13	1	B-2988-A	BONNET	
14	7		SCREW & LOCKWASHER	10-32 x 7/8" LG. SHCS S.S.
15	1	M1125279.00	1/8 HP MOTOR	LEESON (0-250 RPM)
16	1	174107.00	SPEED CONTROL	LEESON WASHGUARD
17	1	B-2982-D	PILOT BUSHING	304 STAINLESS STEEL
18	1	13H-1 1/2"	HEX NUT	DIXON
19	1	16A-1 1/2"	END CAP	DIXON
20	1			
21	1	B-7718-D	ADAPTOR PLATE	
22				

ICE CREAM INLET
3" THREADED BEVEL SEAT CONNECTION

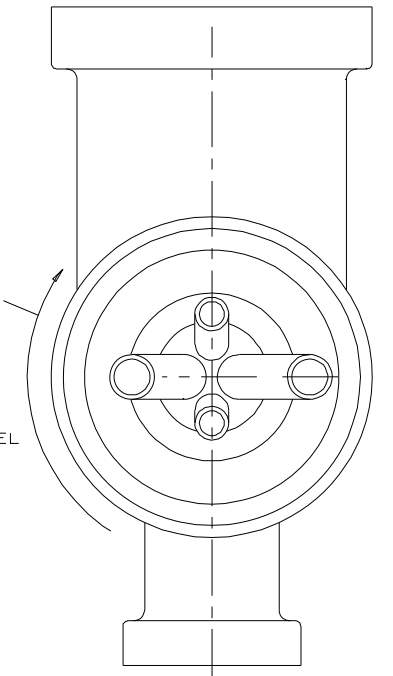
120 VAC 60 HZ TO MOTOR

USE ALIGNMENT TOOL TO ASSEMBLE ADAPTER PLATE TO MOTOR

FLAVOR INLET #1
1 1/2" BEVEL SEAT CONNECTION

FLAVOR INLET #2
1 1/2" BEVEL SEAT CONNECTION

TUBE ROTATION
VARIEGATED ICE CREAM OUT
3" THREADED BEVEL SEAT CONNECTION



NOTE
DIMENSION ARE SUBJECT TO CHANGE WITHOUT NOTICE. CERTIFIED DRAWINGS ARE AVAILABLE FOR A NOMINAL CHARGE.

- NOTES:**
1. VARIEGATOR TO BE DISASSEMBLED AND HAND CLEANED DO NOT CLEAN IN PLACE
 2. MOTOR AND SPEED CONTROL TO BE PROTECTED DURING WASHDOWN
 3. ALL PRODUCT CONTACT MATERIALS TO BE STAINLESS STEEL TYPE 304, BUNA OR DELTRIN
 4. ELECTRICAL REQUIREMENTS: 120VAC, 50/60HZ

TOLERANCES UNLESS OTHERWISE SPECIFIED
0.00 ± .02

HOLLAND MANUFACTURING, INC.
6851-51 ST. KENOSHA, WIS

SCALE: FULL
DATE: 7-24-12
BY: WDH

VERSACAD DWG
VOLUME:
FILE #: D3829A

3" TWO FLAVOR ELECTRIC DRIVE VARIABLE SPEED VARIEGATOR
MODEL ET2F-3" VARIEGATOR D-8103-A