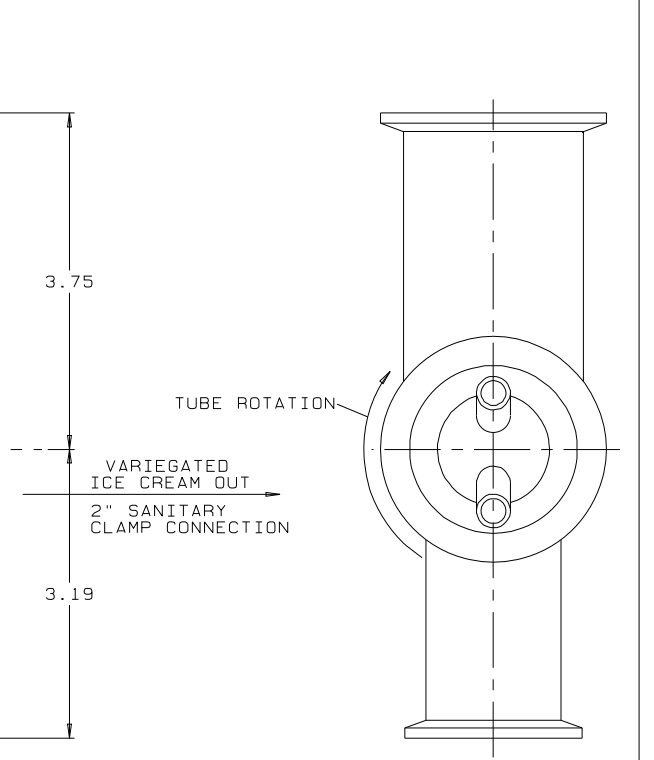


ITEM	REQD	PART NO.	DESCRIPTION	REMARKS
1	1	B-2998-A	BODY	2" WITH CLAMP ENDS
2	1	C-2995-A	FLAVOR TUBE	CUSTOMER TO SPECIFY STYLE
3	2	B-2994-D	LOWER BUSHING	DELTRIN
4	5	A-3000-4	SEAL	BUNA N
5	3	13MHHM-2"	CLAMP	DIXON
6	3		"O" RING	-226 BUNA N
7	2	B-2992-A	FLAVOR TEE	2 x 1 1/2 WITH CLAMP END
8	1	B-2989-D	UPPER BUSHING	DELTRIN
9	1	A-3000-9	DRIVE PIN	
10	2		"O" RING	-10 BUNA N
11	1	A-7719-D	COUPLING	
12	2		SET SCREW	1/4-20 x 1/4" LG. S.S.
13	1	B-2988-A	BONNET	
14	7		SCREW & LOCKWASHER	10-32 x 7/8" LG. SHCS S.S.
15	1	M1125279.00	1/8 HP MOTOR	LEESON (0-250 RPM)
16	1	174107.00	SPEED CONTROL	LEESON WASHGUARD
17	1	B-2982-D	PILOT BUSHING	304 STAINLESS STEEL
18	1	40MP-U150	GASKET	DIXON
19	1	13MHHM-1 1/2"	CLAMP	DIXON
20	1	16AMP-1 1/2-304	END CAP	DIXON
21	1	B-7718-D	ADAPTOR PLATE	
22				



**NOTE**  
 DIMENSION ARE SUBJECT TO CHANGE WITHOUT NOTICE. CERTIFIED DRAWINGS ARE AVAILABLE FOR A NOMINAL CHARGE.

- NOTES:**
1. VARIEGATOR TO BE DISASSEMBLED AND HAND CLEANED DO NOT CLEAN IN PLACE
  2. MOTOR AND SPEED CONTROL TO BE PROTECTED DURING WASHDOWN
  3. ALL PRODUCT CONTACT MATERIALS TO BE STAINLESS STEEL TYPE 304, BUNA OR DELTRIN
  4. ELECTRICAL REQUIREMENTS: 120VAC, 50/60HZ

TOLERANCES UNLESS OTHERWISE SPECIFIED  
 0.00 ± .00

**HOLLAND MANUFACTURING, INC.**  
 6851-51 ST. KENOSHA, WIS

SCALE: FULL  
 DATE: 7-24-12  
 BY: WDH

VERSACAD DWG  
 VOLUME:  
 FILE #: D3829A

2" TWO FLAVOR ELECTRIC DRIVE VARIABLE SPEED VARIEGATOR  
 MODEL ET2FK-2" VARIEGATOR