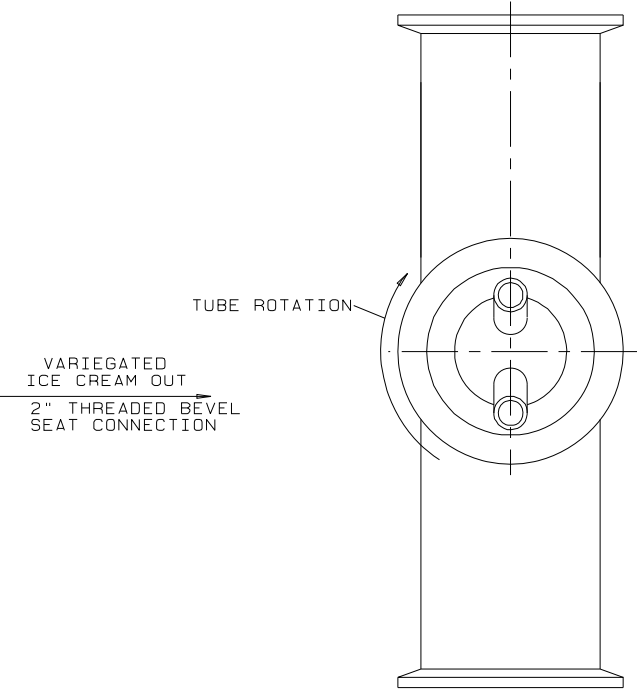


ITEM	REQD	PART NO.	DESCRIPTION	REMARKS
1	1	B-2998-A	BODY	2" WITH SANITARY CLAMP ENDS
2	1	C-2987-A	FLAVOR TUBE	CUSTOMER TO SPECIFY STYLE
3	1	B-2994-D	LOWER BUSHING	
4	3	A-3000-4	SEAL	
5	2	13MHM-2"	CLAMP	DIXON
6	2	A-3000-6	"O" RING	-226
7	1	B-2990-A	FLAVOR TEE	2" SANITARY CLAMP CONNECT.
8	1	B-2989-D	UPPER BUSHING	
9	1	A-3000-9	DRIVE PIN	
10	2	A-3000-10	"O" RING	-010
11	1	A-7719-D	COUPLING	
12	2	A-3000-12	SET SCREW	1/4-20 x 1/4" LG. S.S.
13	1	B-2988-A	BONNET	
14	7	A-3000-14	SCREW & LOCKWASHER	10-32 x 7/8" LG. SHCS S.S.
15	1	M1125279.00	1/8 HP MOTOR	LEESON (0-250 RPM)
16	1	174107.00	SPEED CONTROL	LEESON WASHGUARD
17	1	B-7718-D	ADAPTOR PLATE	



NOTE

DIMENSION ARE SUBJECT TO CHANGE WITHOUT NOTICE. CERTIFIED DRAWINGS ARE AVAILABLE FOR A NOMINAL CHARGE.

- NOTES:**
- VARIEGATOR TO BE DISASSEMBLED AND HAND CLEANED DO NOT CLEAN IN PLACE
 - MOTOR AND SPEED CONTROL TO BE PROTECTED DURING WASHDOWN
 - ALL PRODUCT CONTACT MATERIALS TO BE STAINLESS STEEL TYPE 304, BUNA OR DELRIN
 - ELECTRICAL REQUIREMENTS: 120VAC, 50/60HZ

<small>TOLERANCES UNLESS OTHERWISE SPECIFIED</small> 0.000 ± .015 0.000 ± .005 R. SURF ± .0005 ANGULAR ± .1 DEG		THE DRAWING AND INFORMATION CONTAINED ON THIS DOCUMENT IS CONFIDENTIAL AND THE SOLE PROPERTY OF HOLLAND MFG., INC. AND MAY NOT BE REPRODUCED, USED, OR DISCLOSED WITHOUT PRIOR WRITTEN PERMISSION OF AN AUTHORIZED AGENT OF HOLLAND MFG., INC. HOLLAND MANUFACTURING, INC. 6851-51 ST. KENOSHA, WIS	
VersaCAD DWG VOLUME: FILE #: D3834A		SCALE: FULL DATE: 7-24-12	BY: WDH
		2" SINGLE FLAVOR ELECTRIC DRIVE VARIABLE SPEED VARIEGATOR MODEL ETK-2" VARIEGATOR D-8100-A	