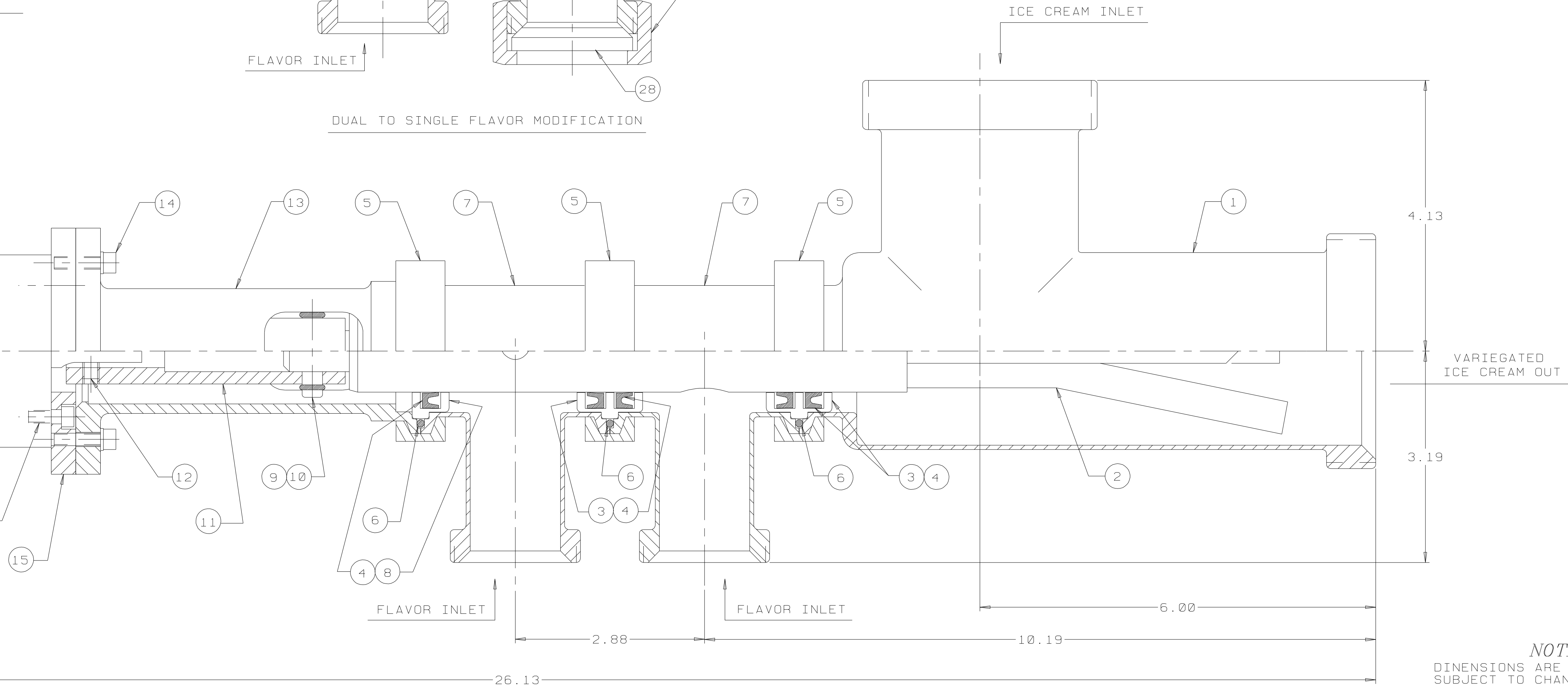
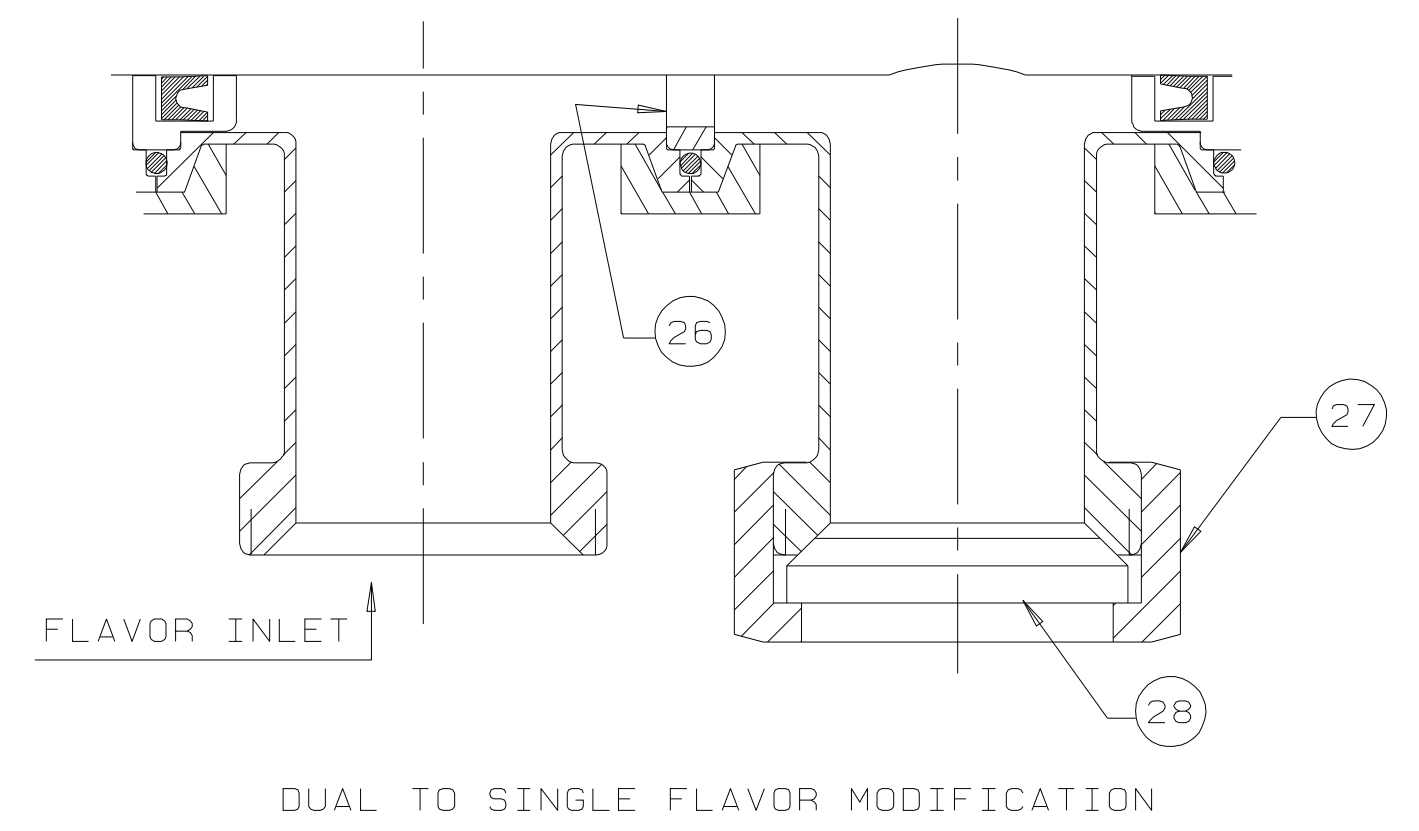
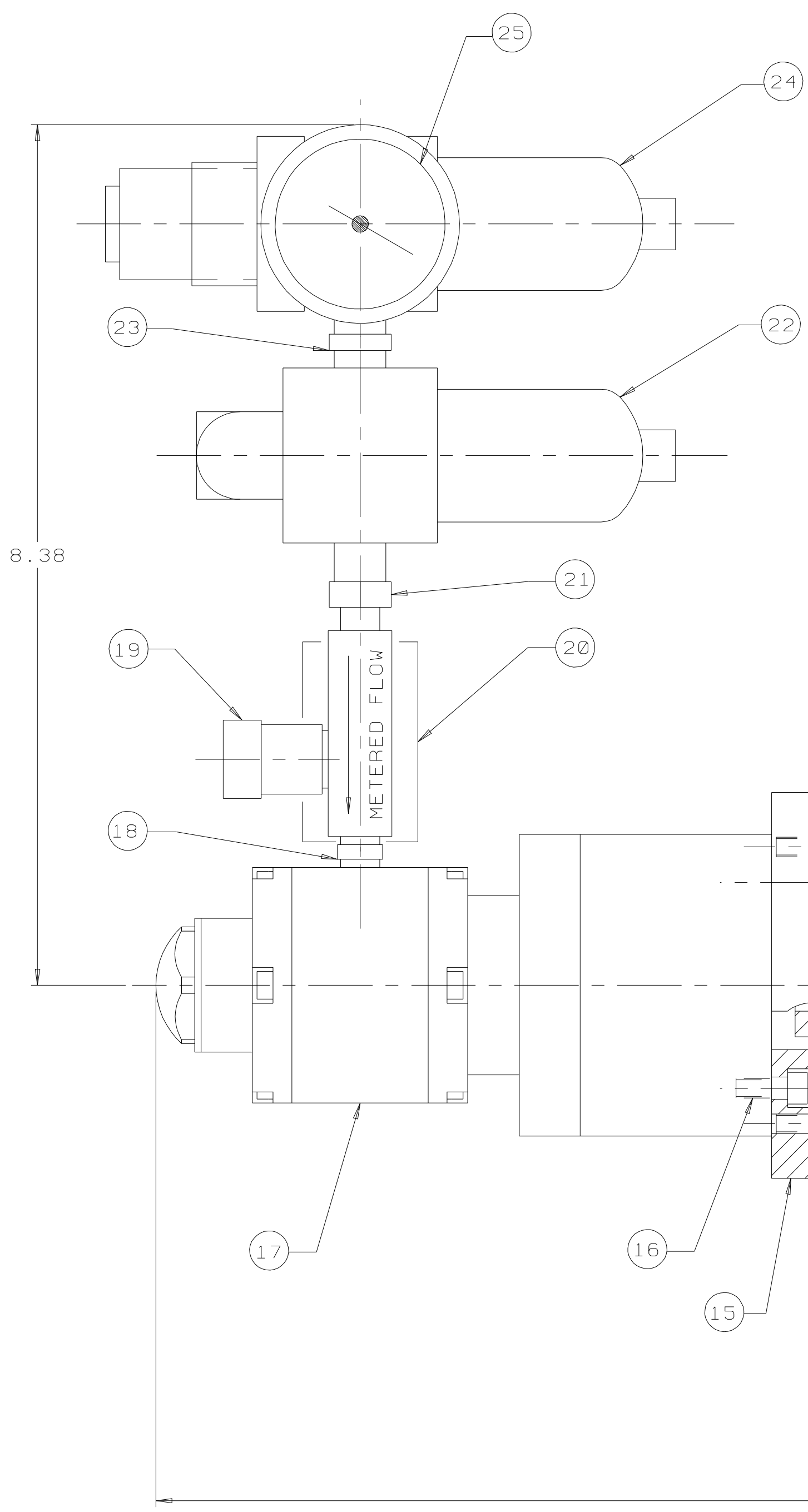


ITEM	REQD	PART NO.	DESCRIPTION	REMARKS
* 18	1	216P-2	HEX NIPPLE	PARKER
* 19	1	F200B-11KT	FLOW CONTROL VALVE	PARKER
* 20	1	AF350	MUFFLER	GAST MANUF. CORP.
* 21	1	216P-4-2	HEX NIPPLE-REDUCING	PARKER
* 22	1	14L11GA	LUBRICATOR	PARKER
* 23	1	216P-4	HEX NIPPLE	PARKER
* 24	1	04E11B13FB	FILTER/REGULATOR	PARKER
* 25	1	111.10.2"	GUAGE	WIKA (0-160 PSI/KPA)
+ 26	1	B-2982-D	PILOT BUSHING	
+ 27	1	13H-1 1/2"	HEX NUT	TCI-SUPERIOR
+ 28	1	16A-1 1/2"	CAP	TCI-SUPERIOR

ITEM	REQD	PART NO.	DESCRIPTION	REMARKS
1	1	B-2997-A	BODY	3" WITH THREADED ENDS
2	1	C-2984-A	FLAVOR TUBE	CUSTOMER TO SPECIFY STYLE
3	2	B-2994-D	LOWER BUSHING	
4	5	A-3000-4	SEAL	
5	3	K13HH-2"	CLAMP	TCI-SUPERIOR
6	3	A-3000-6	"O" RING	-226
7	2	B-2993-A	FLAVOR TEE	2 x 1 1/2 WITH THRD ED
8	1	B-2989-D	UPPER BUSHING	
9	1	A-3000-9	DRIVE PIN	
10	2	A-3000-10	"O" RING	-010
* 11	1	A-2986-D	COUPLING	
12	2	A-3000-12	SET SCREW	1/4-20 x 1/4" LG. S.S.
13	1	B-2988-A	BONNET	
14	4	A-3000-14	SCREW & LOCKWASHER	10-32 x 3/4" LG. SHCS S.S.
* 15	1	B-2985-D	ADAPTOR PLATE	
* 16	4	A-3000-23	SCREW & LOCKWASHER	10-32 x 1/2" LG. SHCS S.S.
* 17	1	1UP-NRV-11-GR11	MOTOR (1/3 HP)	GAST MANUF. CORP.

* ITEMS REQUIRED TO CONVERT ELECTRIC DRIVE UNIT TO AIR DRIVE
 + OPTIONAL PARTS NEEDED FOR SINGLE FLAVOR OPERATION



NOTE
 DIMENSIONS ARE APPROXIMATE AND
 SUBJECT TO CHANGE WITHOUT NOTICE

- NOTES:
- VARIEGATOR TO BE DISASSEMBLED AND HAND CLEANED DO NOT CLEAN IN PLACE
 - ALL PRODUCT CONTACT MATERIALS TO BE STAINLESS STEEL TYPE 304, BUNA OR DELRIN
 - MAXIMUM AIR REQUIREMENTS: 100 PSIG, 20 CFM

THE DRAWING AND INFORMATION CONTAINED ON THIS DOCUMENT IS CONFIDENTIAL AND THE SOLE PROPERTY OF HOLLAND MFG., INC. AND MAY NOT BE REPRODUCED, USED, OR DISCLOSED WITHOUT PRIOR WRITTEN PERMISSION OF AN AUTHORIZED AGENT OF HOLLAND MFG., INC.

HOLLAND MANUFACTURING, INC.
 6851-51 ST. KENOSHA, WIS

TOLERANCES UNLESS OTHERWISE SPECIFIED:
 0.000 ±.015
 0.000 ±.005
 0.000 ±.0005
 ANGULAR ±1 DEG

SCALE: FULL
 DATE: 1-25-88
 BY: SW

VersaCAD DWG
 VOLUME:
 FILE #: 03840A

3" TWO FLAVOR AIR DRIVE
 VARIABLE SPEED VARIEGATOR
 MODEL AT2F-3"
 THREADED BEVEL SEAT PORTS

D-3840-A